

# WETMIX™ V05

Mortar Mixers for  
Silo Applications

quick return on  
investment



# WETMIX™ V05

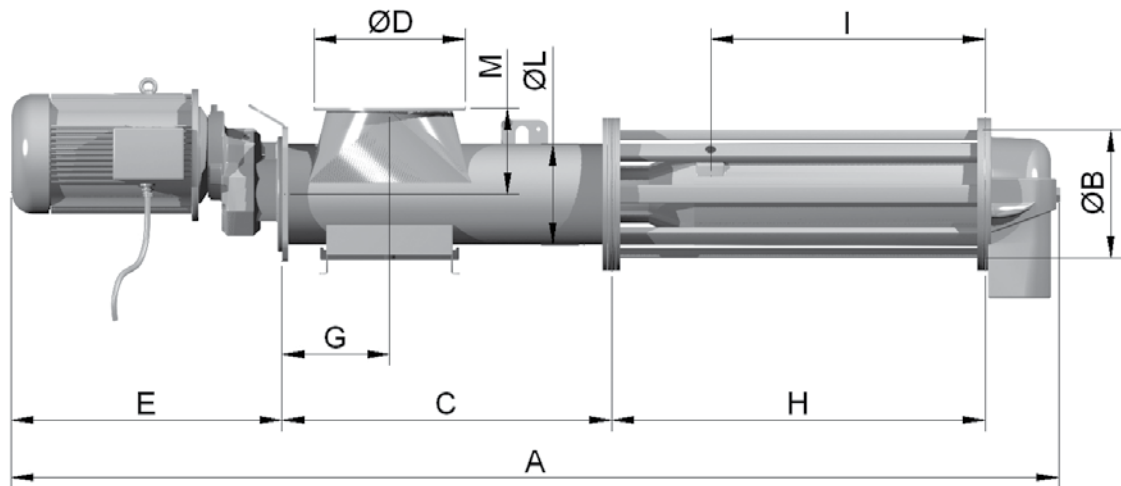
Mortar Mixers for Silo Applications

WETMIX™ V05 is a continuous horizontal single-shaft mixer with a mixing chamber completely manufactured from wear-proof SINT™ engineering polymer. Fitted under a small building site silo, it is used for the preparation of premixed mortars or plasters, directly on site.

The use of SINT™ engineering polymers ensures both longer durability of the mixing tools in comparison with traditional carbon steel equipment and extremely short cleaning time.

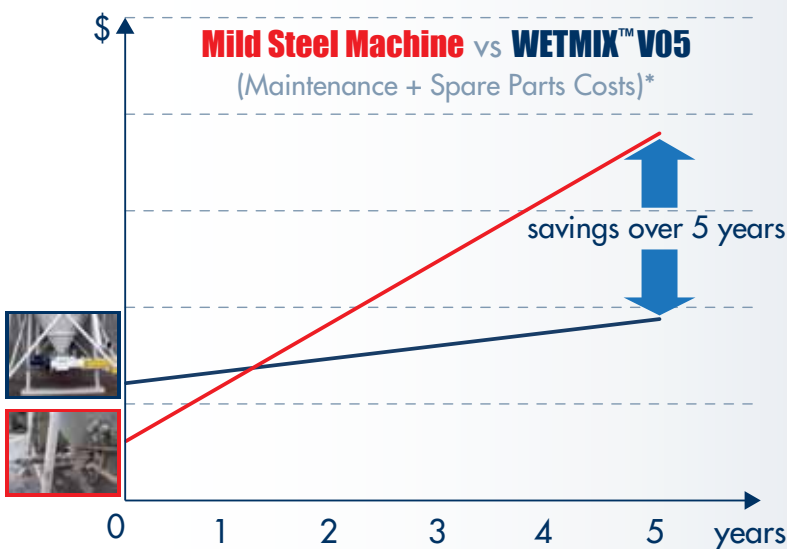
Different options are available in terms of tool type, shaft length, machine capacity and drive power, to ensure a perfect mixing quality for different mortar recipes.

## Overall Dimensions



WETMIX™ V05 TYPE	A	Ø B	C	Ø D	E	G	H	I	Ø L	M	kg
WML 1S... (4.0 kW)	1,880	273	700	273	355	226	650	442	219	186	130
WML 1S... (5.5 kW)	2,115	273	700	273	590	226	650	442	219	186	146
WML 1L... (4.0 kW)	2,030	273	700	273	355	226	800	587	219	186	135
WML 1L... (5.5 kW)	2,265	273	700	273	590	226	800	587	219	186	151

Dimensions in mm



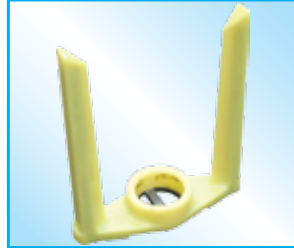
## Benefits

- ✓ Homogeneous wet mortar in a few seconds;
- ✓ Self-cleaning machine;
- ✓ No waste dry material;
- ✓ Modular shaft for different types of mortar;
- ✓ Reduction of maintenance and cleaning costs;
- ✓ Quick return on investment.

1 Electric Motor



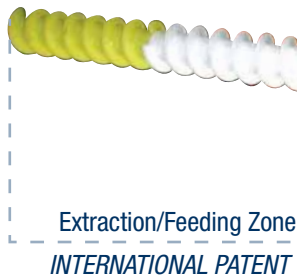
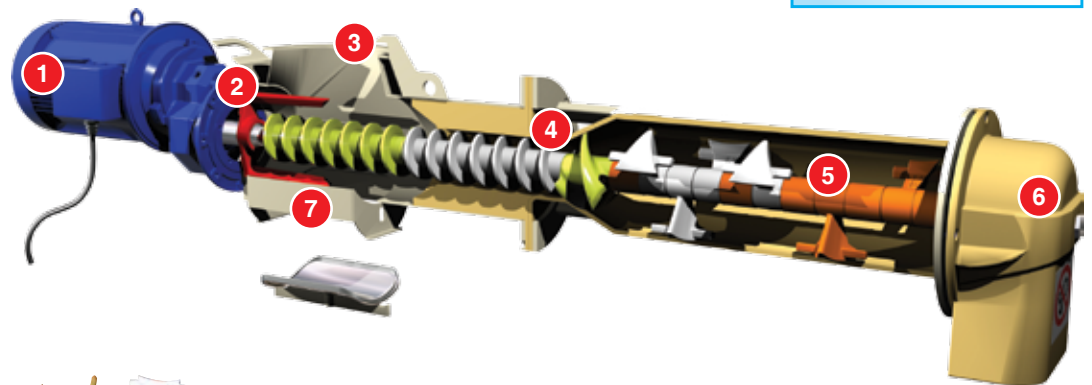
2 Agitator / Crumbling Tool



3 Inlet Spout



4 Tapered Helicoid Flight Scraper



Mixing Zone

Feeder and mixer shaft manufactured from SINT™

5 Mixing Tools  
INTERNATIONAL PATENT



6 Outlet Spout manufactured from SINT™



7 Inspection Hatch under inlet



## Accessories

Pivoting Flange



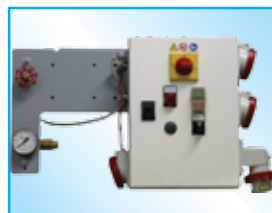
Quick Release Outlet



Agitator / Crumbling Tool



Control Panel



Water Hose & Electric Cable



# Application



December 2010  
063001527  
Rights reserved to modify technical specifications.



[www.wamgroup.com](http://www.wamgroup.com)